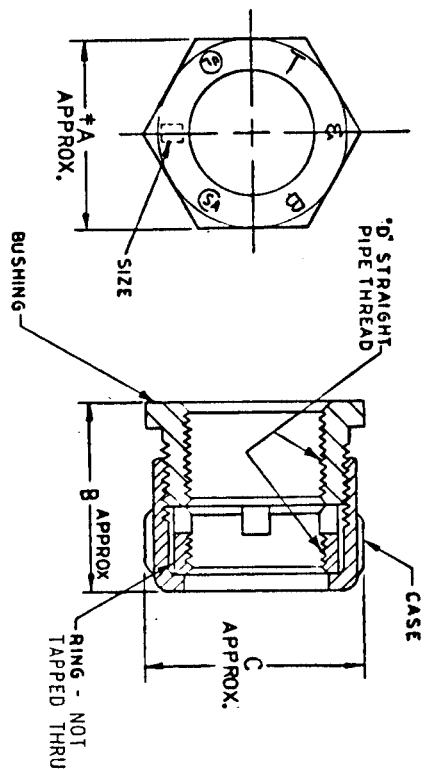


CAT. NO. 674 THRU 679



CAT. NO. 680 THRU 687

† STYLE	SIZE	CAT. NO.	A	B	C	D
HEX	3/8	674	15/16	1-1/8	1-1/8	3/8-18
	1/2	675	1-7/32	1-1/4	1-15/32	1/2-14
	3/4	676	1-3/8	1-3/8	1-9/16	3/4-14
	1	677	1-11/16	1-5/8	1-29/32	1-1/4
	1-1/4	678	2-3/32	1-3/16	2-3/8	1-1/2-11 1/2
OCT	1-1/2	679	1-1/2	1-1/2	2-5/8	1-11/4
	2	680	2-5/16	2-1/4	3-1/2	2-11/4
	2-1/2	681	3-5/8	2-1/4	3-1/2	2-8
	3-1/2	682	4-1/8	2-3/4	4-1/2	2-8
	4	683	4-5/8	3-3/4	5	3-8
RIBBED FLANGE	5	684	5-1/8	3-3/4	5-1/2	4-8
	6	685	6-21/32	3-3/4	6-25/32	5-8
	6-1/2	687	7-13/16	4-1/4	7-1/2	6-8
		689	8-1/4	5-1/2	8-1/2	7-8
		690	9-1/4	6-1/2	9-1/2	8-8
		691	10-1/4	7-1/2	10-1/2	9-8
		692	11-1/4	8-1/2	11-1/2	10-8
		693	12-1/4	9-1/2	12-1/2	11-8
		694	13-1/4	10-1/2	13-1/2	12-8
		695	14-1/4	11-1/2	14-1/2	13-8
		696	15-1/4	12-1/2	15-1/2	14-8

MATERIAL: MALLEABLE IRON
 *STANDARD FINISH: ZINC PLATE
 †NOTE: FOR ORDERING DURABLE™
 FITTINGS FINISH PREFIX CAT.
 NO. WITH NUMBERS 040-.

Append. E.D.W. DATE 8-24-59

THOMAS & BETTS CORPORATION
 Raritan, New Jersey 08869
 In Canada, Thomas & Betts Ltd. Irberville, P.O.

DESCRIPTION: ERICKSON COUPLINGS

REV. NO. 10 DATE 10-26-83

BS-8270